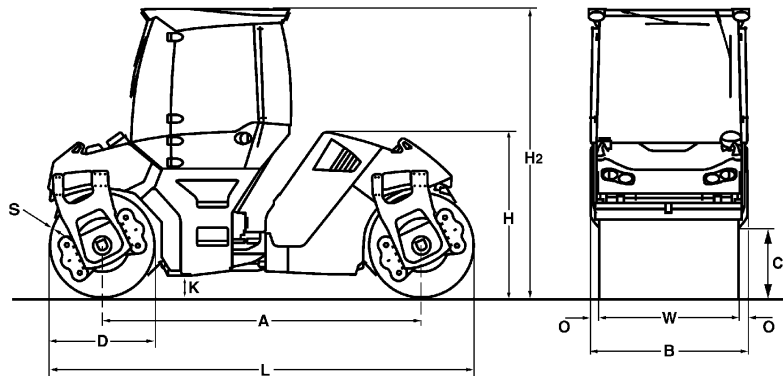


TECHNICAL DATA

TANDEM ROLLERS

BW 141 AD-5, BW 151 AD-5, BW 154 AD-5





Dimensions in in

	A	B	C	D	H	H2	K	L	O	S	W
BW 141 AD-5	129.9	65.5	28.7	43.3	88.2	118.1	9.8	173.2	3.2	0.6	59.1
BW 151 AD-5	129.9	74.2	28.7	43.3	86.6	118.1	9.8	173.2	3.2	0.6	66.1
BW 154 AD-5	129.9	74.2	28.7	43.3	88.2	118.1	9.8	173.2	3.2	0.6	66.1

Shipping dimensions in cub.yd

BW 141 AD-5
BW 151 AD-5
BW 154 AD-5

without ROPS

21.443
 23.336
 23.767

with ROPS

28.712
 31.824
 31.824

Machine type	Compaction output (cub.yd/h) at recommended soil layer thicknesses		
	Gravel, sand	Mixed soil	Silt, clay
BW 141 AD-5	183.1-366.2	157.0-327.0	85.0-170.0
BW 151 AD-5	209.3-418.5	196.2-392.4	98.1-196.2

Machine type	Compaction output (t/h) at different asphalt layer thicknesses		
	0.8-1.6 in	2.4-3.1 in	3.9-5.5 in
BW 141 AD-5	35-70	70-150	100-180
BW 151 AD-5	40-80	80-170	120-200
BW 154 AD-5	40-80	80-170	120-200

Technical Data**BOMAG
BW 141 AD-5****BOMAG
BW 151 AD-5****BOMAG
BW 154 AD-5****Weights**

Operating weight CECE w. cab.	lb	15,212	16,755	18,298
Axle load, front CECE	lb	7,848	8,598	9,370
Axle load, rear CECE	lb	7,363	8,157	8,929
Static linear load, front CECE	lb/in	132.7	130.0	141.7
Static linear load, rear CECE	lb/in	124.9	123.2	135.0
Grossweight	lb	19,180	20,503	21,826

Dimensions

Track radius, inner	in	176.4	172.8	172.8
---------------------------	----	-------	-------	-------

Drums

Split drum		no	no	front + rear
------------------	--	----	----	--------------

Driving Characteristics

Max. travel speed	mph	0- 7.5	0- 7.5	0- 7.5
Max. gradeability without/with vibr. ...	%	40/30	40/30	36/30

Drive

Engine manufacturer		Kubota	Kubota	Kubota
Type		V3307 CR-T	V3307 CR-T	V3307 CR-T
Emission stage		3b/4	3b/4	3b/4
Cooling		water	water	water
Number of cylinders		4	4	4
Performance ISO 14396	kW	55.4	55.4	55.4
Speed	min-1	2,400	2,400	2,400
Electric equipment	V	12	12	12

Brakes

Service brake		hydrost.	hydrost.	hydrost.
Parking brake		multi disc	multi disc	multi disc

Steering

Steering system		oscil.artic.	oscil.artic.	oscil.artic.
-----------------------	--	--------------	--------------	--------------

Exciter system

Vibrating drum		front + rear	front + rear	front + rear
Autom. vibr. shut off		standard	standard	standard
Frequency	vpm	2,700/3,300	2,700/3,300	2,700/3,300
Amplitude	in	0.028/0.011	0.027/0.010	0.024/0.012
Centrifugal force	lb	16,861/10,116	16,861/10,116	20,008/14,613
Centrifugal force	t	7.6/4.6	7.6/4.6	9.1/6.6

Capacities

Fuel	gal	33.0	33.0	33.0
Water	gal	158.5	158.5	158.5

Technical modifications reserved. Machines may be shown with options.

Standard Equipment

- 2 amplitudes / 2 frequencies
- ECOMODE
- Autom. vibration operation
- Individual vibration control
- Driver's seat, slewable
 - laterally slidable with steering wheel
- Emergency stop button
- On-board computer
 - engine speed
 - Speedometer
 - Fuel consumption
 - Engine temperature
- V-belt protection
- Pressure sprinkling system with 2 pumps
- Indicator and hazard lights
- Back-up alarm
- Battery disconnect switch
- Compartments for documents and tools

Optional Equipment

- ROPS cabin with seat belts
 - + heating, Ventilation
 - + 4 Working head lights
- ROPS cabin with air conditioning
- Rotary beacon
- Crab-walk to both sides (6.7in)
- 2 LED-lights for cabin roof (flatbeam)
- Edge cutter
- Special painting
- Environmentally compliant hydraulic oil
- Radio/Radio preparation
- ROPS/FOPS with safety belt
- Precision spreader BS150 laterally slidable
- Asphalt temperature display
- Additional weight 600kg (BW151AD-5)
- Lighting for drum edge front and rear
- Seat heating
- Frequency 4,200vpm
- Approval by the German TÜV
- BOMAG TELEMATIC POWER
- Outside mirrors
- ECONOMIZER
- BCM-Documentation system

