

PC3000-11 Excavator



Safety



Reliability



Productivity



Even in confined work sites, you can maintain high production. The PC3000 is a powerful, versatile machine with advanced technology and a 16m³ shovel and 15m³ backhoe capacity, and the reach to fill 85-165 st trucks.

Operating capacities

	Front shovel	Backhoe
Operating weight	250 tons	252 tons
Standard bucket configuration	16 m ³ (21 yd ³)	15 m ³ (19.5 yd ³)
Engine power	940 kW (1,260 HP)	
Truck compatibility	85 short tons - 165 short tons	
Swing speed	4.6 rpm	
Boom length	6 000 mm	8 600 mm
Stick length	4 300 mm	4 000 mm
Breakout force	1 066 kN	890 kN
Crowd force/*tear-out force	1 136 kN	*811 kN
Tier 4 option	Yes	Yes
Electric drive option	as -6 version	as -6 version

PC3000-11

Diesel drive

Model (Tier 4)	Komatsu SDA12V159E-3
Type	4-cycle, water-cooled, direct injection
Aspiration	Turbocharged and aftercooled
Number of cylinders	12
Engines amount	1
Rated power per engine	940 kW (1,260 HP) @ 1800 rpm
Governor	All-speed, electronic
DEF tank capacity (tier 4)	514 L (136 gal)

Electric drive

Type	Asynchronous motor
E-drive availability-11	Not available
Engines amount	1
Rated power per engine	900 kW (1,223 HP) @ 1800 rpm
Voltage	6 000-7 200 V
Amperage (approx.)	96 A-80 A
Frequency standard	60 Hz @ 1800 rpm
Frequency option	50 Hz @ 1500 rpm

Electric system

System	24 V
Batteries	4x12 V
Alternator	140 A
Standard working lights (amount)	12 LED lights
Standard service lights	Throughout the platform including emergency egresses and stairways

Undercarriage

Track adjustment	Automatic hydraulic type
Number of track shoes each side	46
Number of top rollers each side	3
Number of bottom rollers each side	7

Travel and brake systems

Gradeability	Up to 57%
Travel speed (max)	2.4 km/h (1.5 mph)
Service brake	Hydraulic brake
Parking brake	Multiple brake

Swing system

Hydraulic motors and swing gears	1
Swing brake, dynamic	Hydraulic brake
Swing brake, parking	Multiple-disc
Swing ring teeth	External
Swing speed (max)	4.6 rpm

Environment

Hand-lever (ISO 5349-1)	Lower than 2.5 m/s ²
Whole body vibration and shock (ISO 2631-1)	Below 0.5 m/s ²
Greenhouse gas	HFC-134a (GWP 1430)
PC3000-11 D quantity of gas	3.7 kg
PC3000-11 D CO ₂ equivalent	5.3 t
PC3000-11 E quantity of gas	4.9 kg
PC3000-11 E CO ₂ equivalent	7.0 t

Hydraulic system

Description	The power train consists of one main drive. Diesel or electric motor can be supplied. One gearbox drives three identical main pumps which draw hydraulic oil from an unpressurised hydraulic tank. Open circuit hydraulics provide maximum cooling and filtering efficiency.
Main hydraulic pumps	Bosch Rexroth
Main hydraulic pumps	2 730 L/min (750 gpm)
Relief valve setting	310 bar (4,495 psi)
Swing flow rate	800 L/min (211 gpm)
High pressure screens	200 microns
Flow description	

Full flow return line filters 3 x 10 microns and leakage line filter 3 microns all with monitored 200 microns by pass filters. The three-circuit system features a load limiting governor with oil delivery summation to the working circuits and incorporates pressure cut-off control. Hydropilot prioritises hydraulic flow giving smooth hydraulic response, simple hydraulic system layout, and a reduced number of components

Automatic lubrication system

Description	Two hydraulically powered Lincoln single line automatic lubrication systems are provided as standard, complete with time and volume variable controls. The central lube grease system is supplied from a refillable 200 litre (53 gal.) barrel. A second, identical system supplies open gear lubricant to the swing ring teeth through a lube pinion. Replenishment of the barrels is through the service arm.
-------------	---

Capacities

Hydraulic oil tank	2 670 L (705 US gal)
Hydraulic system	4 400 L (1,160 US gal)
Fuel	4 500 L (1,190 US gal)
Engine coolant	254 L (67 US gal)
Engine oil	190 L (50 US gal)
Lubrication system (total)	400 L (105 US gal)

Operator cab

Damping pads (amount)	Enclosed steel cab mounted on viscous pads
AC System	Air-condition unit
Suspension of seat	Full suspension operator seat with belt
Heating of seat	Electrically heated
Seat belt	Lap seat belt
Adjustments of seat	Multiple adjustments
Joystick controls	Joysticks and controls are hydraulic
Foot controls	Electronic Pedals, foot control for shovel clam, crawler and swing brake Hydraulic pilot control
Radio version	AM-FM radio with MP3 ready CD player and AUX in
Windshield washers	2 synchronised windshield wash wiper
Windshield washer speed	Two speeds and intermittent operation
Additional mirrors	2 heated rear mirrors
Sun blinds	External metal sun blinds on side window
Roller blinds	Internal roller blinds on all windows, except rear door
Sliding window	Left hand, escape window
Window tinting	Parsol green
Penetration proof windows	Impact resistant front window (21 mm and tolerances)
Walkway	Walkway around the cab
Engineering standards	ISO 3449, ISO 6394, ISO 10263-4 TL: EN474-1, EN 474-5, DIN 15018, BR2-S DIN EN 1063, ECE R43, ISO 10262

Komtrax plus

Version	Komtrax Plus 2
Description	The KOMTRAX Plus monitoring system is designed for Komatsu mining equipment to provide real time and stored information about the operating status of the machine. Fault messages are immediately available to the operator via a digital display and in the event of critical malfunctions the engine is also shut down. The digital storage provides failure summary and analysis, which can be down loaded by laptop computer. This data will assist in predicting or reduction downtime. Optionally available is Orbcomm satellite transmission (check for availability in your territory).
Argus PLM ready	Yes

Front shovel attachment

Boom length	6 000 mm (19.7 ft.)
Stick length	4 300 mm (14.1 ft.)
Break-out force (ISO)	1 066 kN (239,646 lbf.)
Crowd force (ISO)	1 136 kN (255,383 lbf.)
Max cutting height	15 100 mm (49.5 ft.)
Max dumping height	10 200 mm (33.5 ft.)
Max digging depth	3 300 mm (10.8 ft.)
Max digging reach	13 300 mm (43.6 ft.)
Level crowd at ground level	4 700 mm (15.4 ft.)
Bucket opening width	2 330 mm (7.6 ft.)

Front shovel capacities

16 m ³ (standard)	16 m ³ (20.9 yd ³)
Width	3 790 mm (12.4 ft.)
Teeth	5
Wear package	Heavy duty
GET system	Hensley XS 252* *(further systems on request)
Max material density	1.8 t/m ³ (3,034 lb/yd ³)

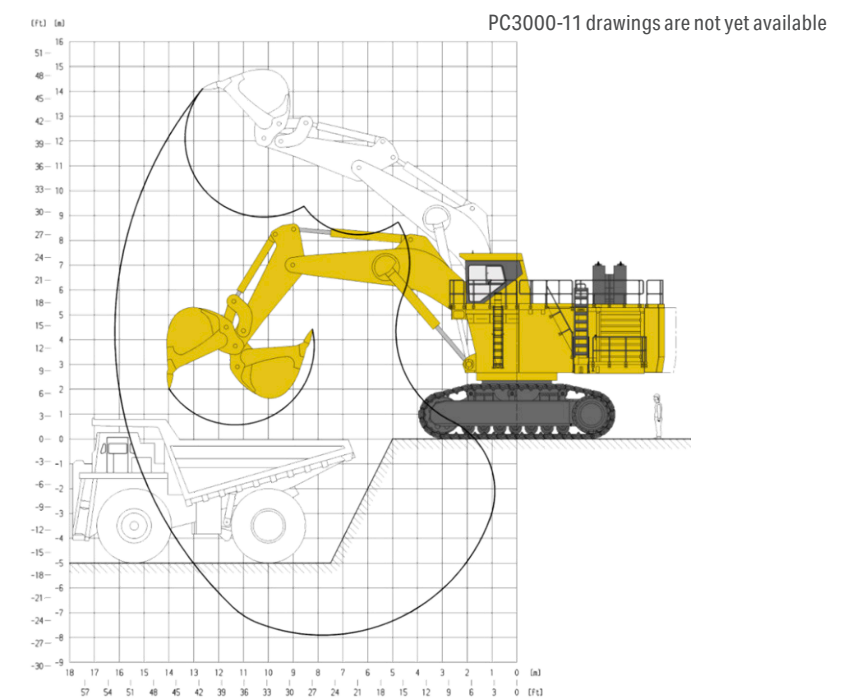
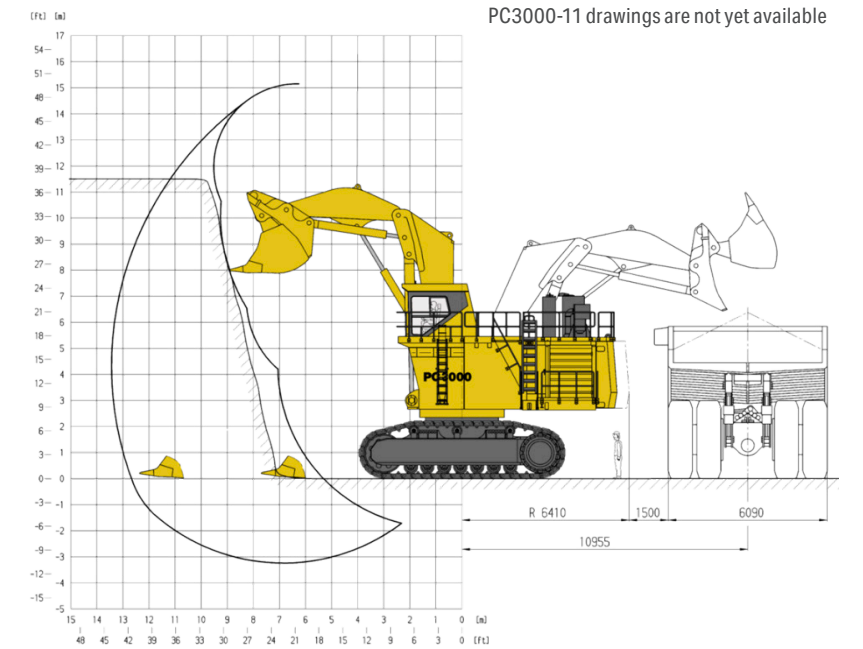
Backhoe attachment

Boom	8 600 mm (28.2 ft.)
Stick	4 000 mm (13.1 ft.)
Break-out force (ISO)	890 kN (100,080 lbf.)
Tear-out force (ISO)	811 kN (182,320 lbf.)
Max digging height	14 100 mm (46.3 ft.)
Max dumping height	9 000 mm (29.5 ft.)
Max digging depth	7 900 mm (25.9 ft.)
Max digging reach	16 200 mm (53.1 ft.)
Max digging reach at ground level	15 600 mm (51.2 ft.)

Backhoe capacities

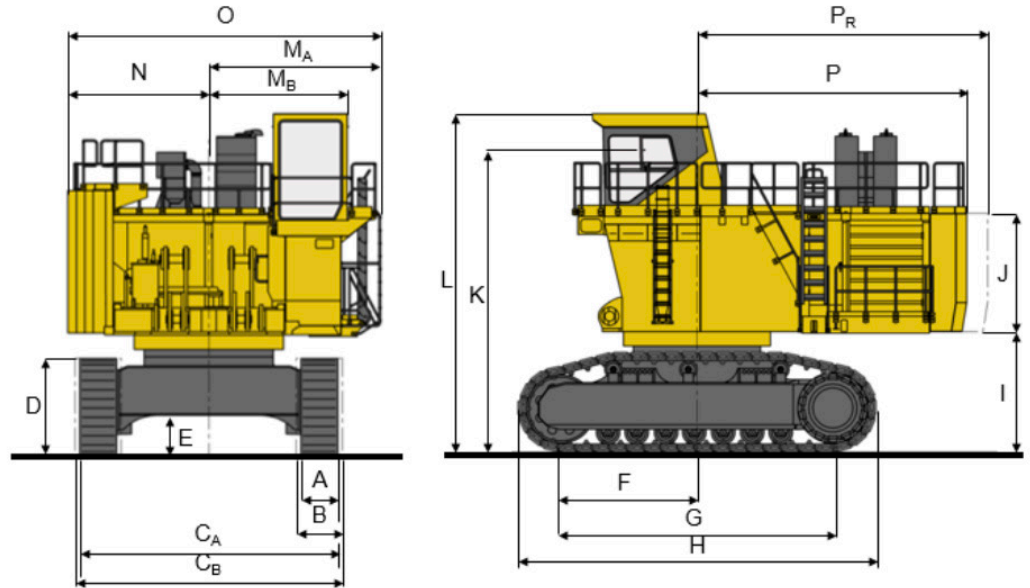
15 m ³ (standard)	15 m ³ (19.6 yd ³)
Width	3 260 mm (10.7 ft.)
Teeth	5
Wear package	Heavy duty
GET system	Hensley XS 252* *(further systems on request)
Max material density	1.8 t/m ³ (3,034 lb/yd ³)

General specification



Dimensions (PC3000-6)

A	800 mm (2 ft. 7 in)
B	1 000 mm (3 ft. 3 in)
C _A	5 640 mm (18 ft. 6 in)
C _B	5 840 mm (19 ft. 2 in)
D	2 210 mm (7 ft. 3 in)
E	935 mm (3 ft. 1 in)
F	3 000 mm (9 ft. 10 in)
G	6 000 mm (19 ft. 8 in)
H	7 914 mm (25 ft. 12 in)
I	2 670 mm (8 ft. 9 in)
J	2 610 mm (8 ft. 7 in)
K	6 802 mm (22 ft. 4 in)
L	7 479 mm (24 ft. 6 in)
M _A	3 740 mm (12 ft. 3 in)
M _B	3 010 mm (9 ft 11 in)
N	3 060 mm (10 ft. 1 in)
O	6 800 mm (22 ft. 6 in)
P	5 959 mm (19 ft. 6 in)
P _R	6 402 mm (20 ft. 12 in)



PC3000-11 drawings are not yet available

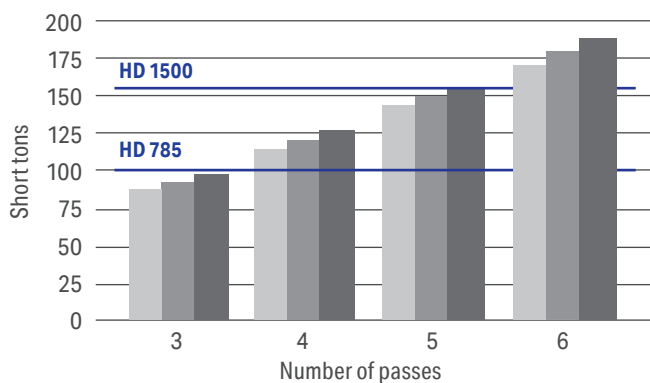
Front shovel operating weights

Boom dimensions	6 000 mm (19 ft. 8 in)
Stick dimensions	4 300 mm (14 ft. 1 in)
Standard bucket	16 m ³ (21 yd ³)
Shoe width and weight (800 mm)	800 mm (31 ft.)
Ground pressure	23.6 N/cm ² (34.3 psi)
Operating weight	257 t (566,588 lbs.)
Shoe width and weight (1 000 mm)	1 000 mm (39 ft.)
Ground pressure	19.3 N/cm ² (28.0 psi)
Operating weight	262 t (577,611 lbs.)
Shoe width and weight (1 200 mm)	1 200 mm (47 ft.)
Ground pressure	16.1 N/cm ² (26.5 psi)
Operating weight	262 t (1,214,747 lbs.)

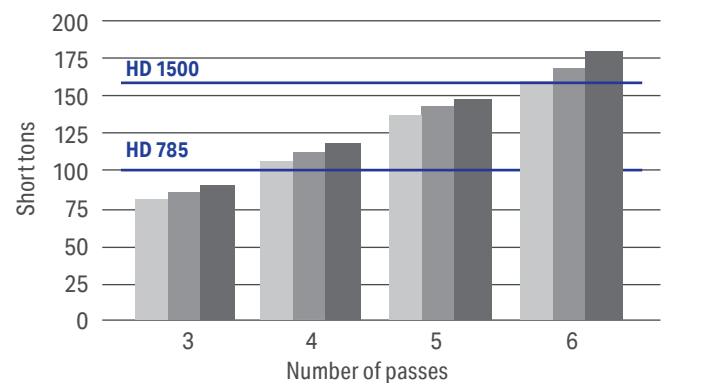
Backhoe operating weights

Boom dimensions	8 600 mm (28 ft. 3 in)
Stick dimensions	4 000 mm (13 ft. 1 in)
Standard bucket	15 m ³ (19.5 yd ³)
Show width and weight (800 mm)	800 mm (31 ft.)
Ground pressure	23.8 N/cm ² (34.5 psi)
Operating weight	259 t (570,997 lbs.)
Shoe width and weight (1 000 mm)	1 000 mm (39 ft.)
Ground pressure	19.4 N/cm ² (28.2 psi)
Operating weight	264 t (582,020 lbs.)
Shoe width and weight (1 200 mm)	1 200 mm (47 ft.)
Ground pressure	16.2 N/cm ² (23.5 psi)
Operating weight	264 t (582,020 lbs.)

PC3000-11 Front shovel truck match



PC3000-11 Backhoe truck match



Product designs, specifications and/or data in this document are provided for informational purposes only and are not warranties of any kind. Product designs and/or specifications may be changed at any time without notice. The only warranties that apply to sales of products and services are Komatsu's standard written warranties, which will be furnished upon request.

Komatsu and other trademarks and service marks used herein are the property of Komatsu Ltd., Komatsu America Corp., Komatsu Mining Corp., Komatsu Germany, or one of their affiliates, or the respective owners or licensees.

KOMATSU
komatsu-mining.de

