

KOMATSU[®]

C144

Forestry Quality™

C144

HARVESTING HEAD



Uncompromisingly reliable and profitable

The head that never lets you down – not even in the most demanding and rough harvesting environments. That's the Komatsu C144.

This refusal to compromise is seen not the least in the 4WD feed. The system's extra roller in the feed line, which complements the body roller, is truly unique and produces significantly higher feed force. This is especially noticeable on extremely coarse trees and difficult to delimb tops. Productivity is further enhanced by the Constant Cut saw unit, which in addition to preventing the chain from exceeding the maximum chain speed also provides high harvesting capacity and extremely short cutting times.

The Komatsu C144 can be equipped with multi-tree handling, which further enhances production capacity.

Then there's the optional 90 cm bar, which enables the head to cut larger diameter stems and buttresses, thereby increasing the head's productivity and application areas. The generous 40-degree tilt angle also does its part in raising productivity by enabling the fastest possible feed start. You can also opt for head-mounted working lights, which help increase productivity and reduce the risk of downtime. At the same time, you're assured great reliability and ease of service, such as via centralised lubrication points.

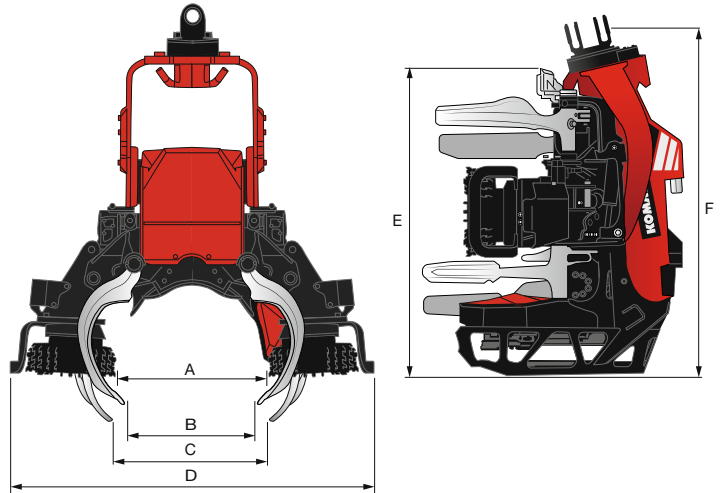
One important quality factor is the patented accurate and reliable length measuring. So if you want a head that offers maximum productivity every day and every shift – choose the Komatsu C144!

TECHNICAL DATA

C144

Komatsu C144, highlights

- 4WD feed with extra body roller produces significantly greater feed force
- Constant Cut prevents the chain from exceeding maximum chain speed and delivers high harvesting capacity and extremely short cutting times
- Optional 90 cm bar. Offers increased productivity and broader application areas
- Find End (option) resets the length measurement without needing to cut the stem
- Tilt angle of 40 degrees for less wear and improved work environment
- Four hydraulic delimiting knives, with the two forward knives providing more efficient delimiting of challenging trees
- Optional head-mounted working lights
- Patented length measuring with exact measurement accuracy and high reliability thanks to non-contact signal transmission
- Optional multi-tree handling to further enhance production capacity
- Safe and simple service with centralised lubrication points
- The Eco-GLS lubrication system (optional) reduces lubricant consumption and eliminates oil mist



Weight (dry weight):	from 1,410 kg
Feed rate:	0-5 m/s
Feed force, gross, roller motor dependent:	627 cc: 23.7 kN 780 cc: 29.6 kN
Feed wheel type:	Steel rollers
Delimiting knives, max. number:	5
Delimiting diameter, tip-to-tip:	510 mm
Saw bar:	82.5 cm or 90 cm
Saw motor:	19 cm ³ /rev.
Felling diameter, theor. max., saw bar dependent:	710 mm / 750 mm
Requisite max. hydraulic flow, feed roller dependent:	627 cc: 256 l/min 780 cc: 313 l/min
Requisite max. hydraulic pressure:	28 MPa

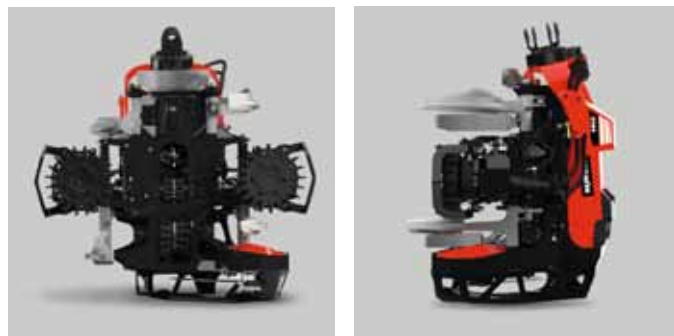
A Feed roller opening, max.	750 mm
B Opening front knives, max.	660 mm
C Opening rear knives, max.	800 mm
D Width, max.	1,810 mm
E Height to upper knife	1,600 mm
F Height with rotator	1,770 mm

NB: Refers only to one of several possible dimensional combinations and the head's weight is dependent on equipment options.

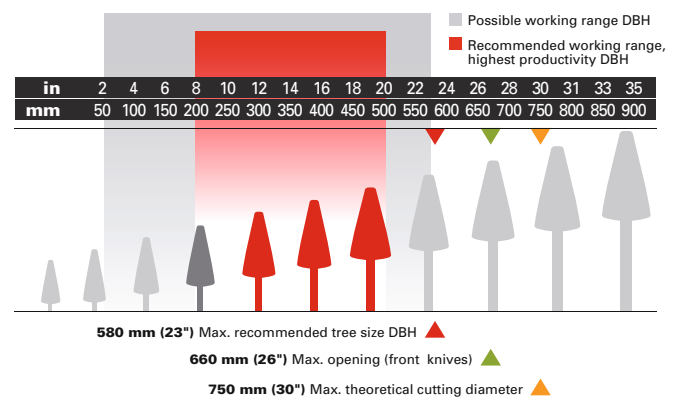
OPTIONAL EQUIPMENT

Standard and extra equipment are market-dependent and vary between countries. Your sales representative has an up-to-date list of what is included.

Technical data/dimensions vary depending on optional equipment selected. Specifications and designs are subject to alteration without prior notice. Photos, diagrams and figures do not always show the standard configuration.



ZONE OF APPLICATION



KOMATSU

Komatsu Forest AB
www.komatsuforest.com