

# KOMATSU<sup>®</sup>

## C164

Forestry Quality™

C164

HARVESTING HEAD



### The perfect head for broad trees

The Komatsu C164 is a brand-new head in the popular C series and a perfect match for the Komatsu 951. Each and every component is specially designed for handling large trees, rugged buttresses, and thick branches. From the saw placement, which reduces strain on the frame and the tilt link, to the sturdy and robust rotator. Moreover, the head has a compact build, making it agile and easily manoeuvred from the cab.

The Komatsu C164 is equipped with a Constant Cut saw unit, now with upgraded features to ensure even greater reliability. The

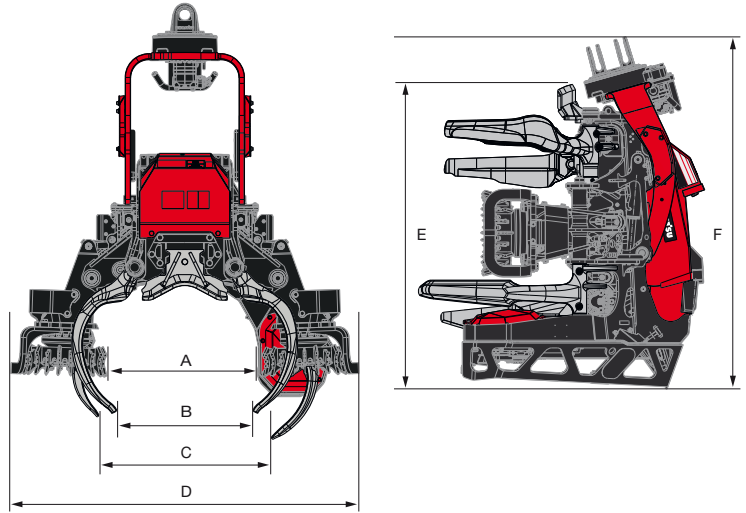
head has a brand-new tilt lock function that enables you to lock the tilt link at any angle to reach challenging branches or forked treetops more easily. The Komatsu C164 has several options that help to increase productivity, such as the Find End function, which better facilitates the processing of pre-felled forest, and integrated working lights. The head is also designed to minimise unplanned downtime and thereby improve productivity. All in all, the Komatsu C164, teamed with the Komatsu 951, is a powerful tool for challenging harvesting assignments.

# TECHNICAL DATA

# C164

## Komatsu C164 highlights

- Designed for harvesting large trees, rugged buttresses and thick branches
- The saw box and saw bar placements result in an optimised design for this type of harvesting – reducing the risk of felling the tree over the saw bar's nose wheel
- A perfect match for the Komatsu 951
- New tilt lock function to set the head at the right angle for harvesting challenging branches, forked treetops and more
- New, larger rotator – sturdier and more robust design compared to other C-series heads
- Upgraded Constant Cut saw unit
- The Find End option simplifies length measuring, especially when processing pre-felled forest
- Integrated working lights increase productivity in low light or night operations
- HD link option for mounting on tracked machines, available with or without continuous rotating head function
- Movable top knife enables crooked stems of a larger diameter range to be fed
- Available with 90/97 cm saw bar



Weight (dry weight):	from 1,691 kg
Feed speed:	0–5 m/s
Feed force, gross:	934 cc: 35.4 kN 780 cc: 29.6 kN
Feed roller, type:	Finger feed rollers
Delimiting knives, max. number:	5
Delimiting diameter, tip to tip:	620 mm
Saw bar:	90 cm / 97 cm
Saw motor:	19 cm <sup>3</sup> /rev
Felling diameter, theor. max.:	830 mm
Requisite max. hydraulic flow:	380 l/min
Requisite max. hydraulic pressure:	280 bar

<b>A</b> Finger Feed rollers, max. opening	850 mm
<b>B</b> Front knives, max. opening	750 mm
<b>C</b> Rear knives, max. opening	950 mm
<b>D</b> Width, max.	1,905 mm
<b>E</b> Height to top knife	1,690 mm
<b>F</b> Height with rotator	1,848 mm

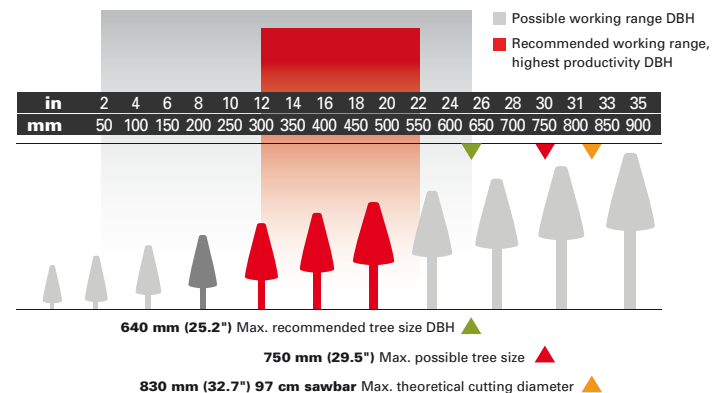
NB: Refers only to one of several possible dimensional combinations and the head's weight is dependent on any optional equipment.

Standard and extra equipment are market-dependent and vary between countries. Your sales representative has an up-to-date list of what is included.

Technical data/dimensions vary depending on any optional equipment. Specifications and designs are subject to alteration without prior notice. Photos, diagrams and figures do not always show the standard configuration.



## ZONE OF APPLICATION



# KOMATSU

Komatsu Forest AB  
www.komatsuforest.com