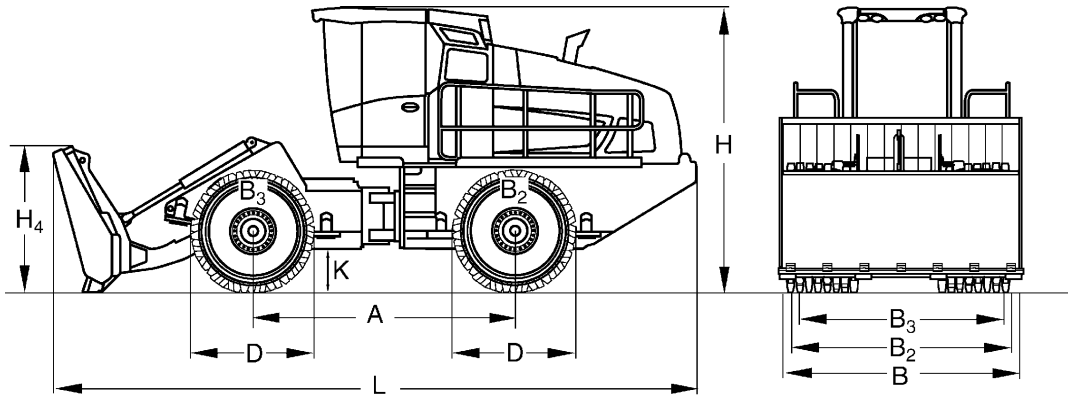


# TECHNICAL DATA

REFUSE COMPACTOR

BC 473 RB-5, BC 573 RB-5





**Dimensions in in**

	<b>A</b>	<b>B</b>	<b>B2</b>	<b>B3</b>	<b>D</b>	<b>H</b>	<b>H4</b>	<b>K</b>	<b>L</b>
<b>BC 473 RB-5</b>	137.8	141.7	140.2	131.3	65.4	150.4	76.8	23.6	339.0
<b>BC 573 RB-5</b>	137.8	141.7	140.2	131.3	65.4	150.4	76.8	23.6	339.0

**Shipping dimensions in cub.yd**

<b>BC 473 RB-5</b>	154.824
<b>BC 573 RB-5</b>	154.824

**Technical Data****BOMAG  
BC 473 RB-5****BOMAG  
BC 573 RB-5****Weights**

Grossweight .....	lb	59.084	64.155
Operating weight CECE .....	lb	57.320	62.391
Axle load, front CECE .....	lb	28.109	30.644
Axle load, rear CECE .....	lb	29.211	31.747

**Driving Characteristics**

Speed (1), forward .....	mph	0- 2.8	0- 2.8
Speed (1), reverse .....	mph	0- 2.8	0- 2.8
Speed (2), forward .....	mph	0- 7.5	0- 7.5
Speed (2), reverse .....	mph	0- 7.5	0- 7.5
Max. gradeability (dep. on soil con.) .....	%	100	100
Max. pushing force .....	lb	281	305

**Drive**

Engine manufacturer .....		Merc. Benz/MTU	Merc. Benz/MTU
Type .....		OM 936 LA	OM 936 LA
Emission stage .....		Stage V / TIER4f	Stage V / TIER4f
Exhaust gas aftertreatment .....		SCR+DOC+DPF	SCR+DOC+DPF
Cooling .....		Liquid	Liquid
Number of cylinders .....		6	6
Performance ISO 9249 .....	hp	281.6	281.6
Performance SAE J 1349 .....	hp	281.0	281.0
Speed .....	min-1	2.200	2.200
Travel system .....		hydrost.	hydrost.
Operating voltage .....	V	24	24

**Compaction Wheels**

Width, front .....	in	44.3	44.3
Width, rear .....	in	44.3	44.3
Outer diameter (front) .....	in	65.4	65.4
Outer diameter (rear) .....	in	65.4	65.4
Number of teeth/cutters, front .....		50	50
Number of teeth/cutters, rear .....		50	50
Compaction coverage per side .....	in	48.7	48.7

**Brakes**

Service brake .....		hydrost.	hydrost.
Parking brake .....		hydromec.	hydromec.

**Steering**

Steering system .....		oscil.artic.	oscil.artic.
Steering method .....		hydraulic	hydraulic
Steering angle +/- .....	deg	35	35
Oscillating angle +/- .....	deg	15.0	15.0
Track radius, inner .....	in	148.1	148.1

**Dozer Blade**

Height adjustment over ground level .....	in	47.2	47.2
Height adjustment below ground level .....	in	4.7	4.7
Dozer blade capacity acc. to SAE J 1265 .....	yd3	14.4	14.4

**Capacities**

Fuel .....	gal	99.1	99.1
Hydraulic oil .....	gal	68.7	68.7
AdBlue (DEF) ® .....	gal	10.6	10.6

Technical modifications reserved. Machines may be shown with options.

## Standard Equipment

## Optional Equipment

- Premium compaction wheels with highly wear resistant teeth
- CD-Radio
- Pre start cabin heating
- Rotary beacon
- Fire extinguisher
- Special painting
- Electrical anti-theft system with numerical code
- Protective ventilation system (Pre-installation)
- Tool kit
- Protective grille for cabin
- Climatronic
- Semi-U-Blade 141.3in
- Tachograph
- Cold start device
- LED Working head lights
- Cold start device (115V)
- Cold start device (230V)
- Protective grille, rear

