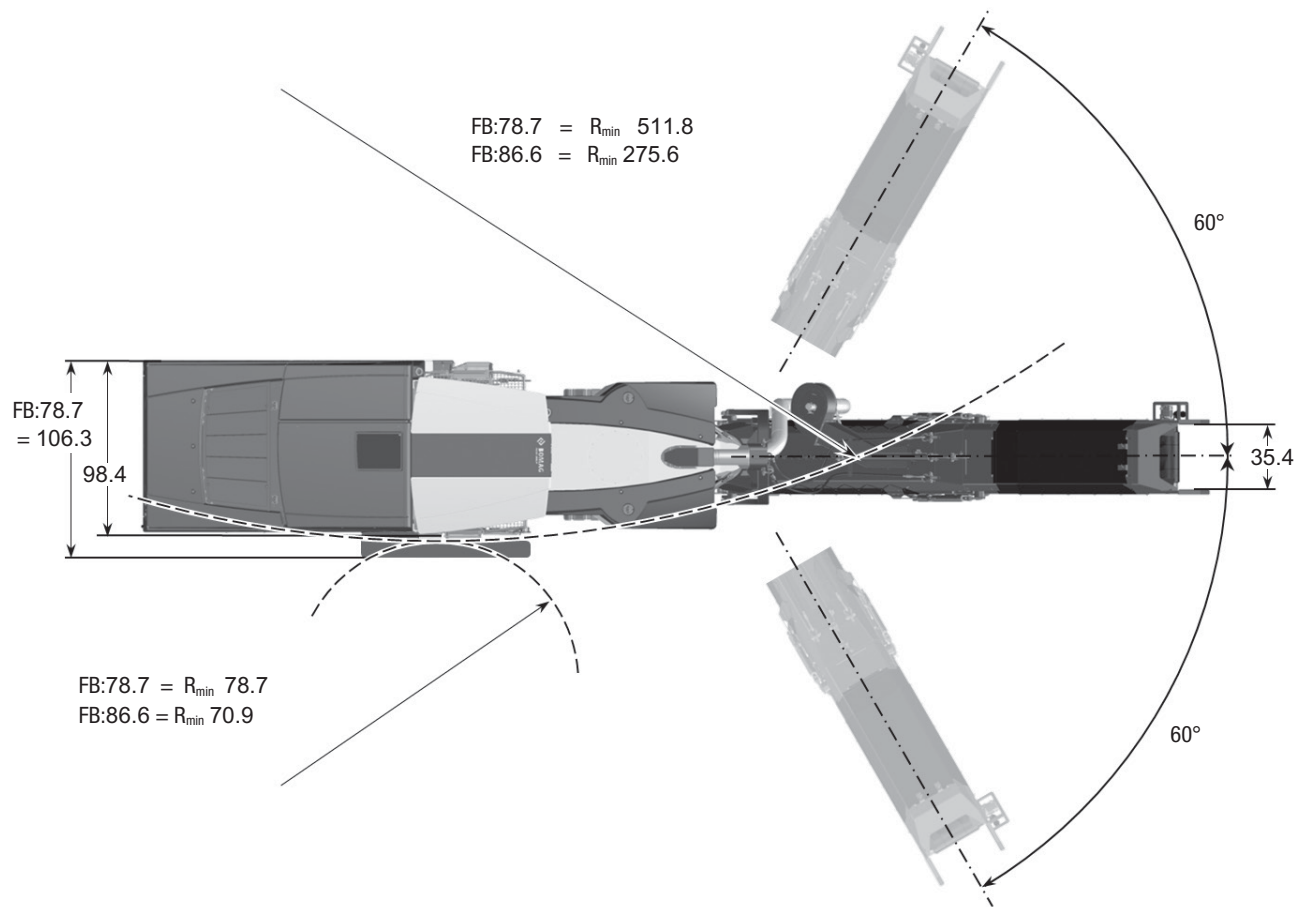
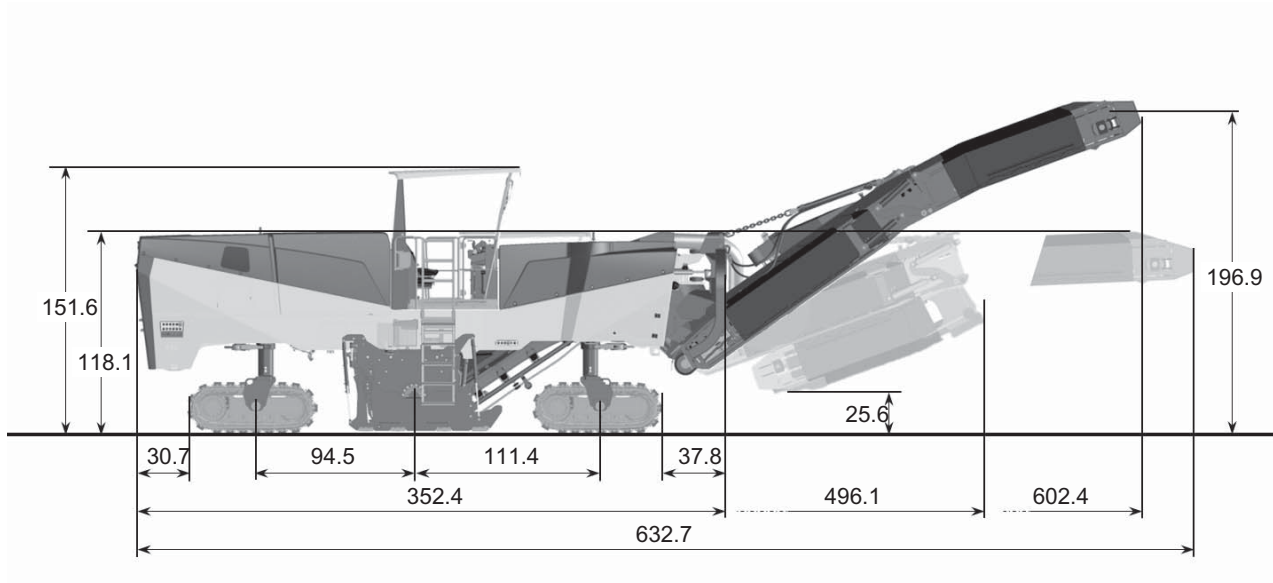


TECHNICAL DATA

COLD PLANER

BM 2000/75, BM 2200/75





Technical Data

Milling Drum

Working width max.in	78.7	86.6
Working depth in	0 – 13.8	0 – 13.8
Linespacein	0.6	0.6
Cutting diameterin	40.2	40.2
No of tools	162	174
Milling drum speed 1/min	variable, 100, 112, 131	variable, 100, 112, 131

Drive Train

Engine Manufacturer	MTU	MTU
Type	10V 1600	10V 1600
Cooling	Liquid cooled	Liquid cooled
No of Cylinders / Displacement cm ³	10 / 1,068	10 / 1,068
Power kW / hp	567 / 771	567 / 771
Idle at rated Power rpm	2,100	2,100
Max Torque Nm / rpm	3,340 / @1,300	3,340 / @1,300
Fuel consumption at max Torque / at rated Power g/kWh	195 / 205	195 / 205
Generator V	28	28
Battery V / Ah	2 x 12 / 200	2 x 12 / 200
Emission level	EU Stage IV / US Tier 4 final	EU Stage IV / US Tier 4 final

Driving Characteristics

Transport Speed mph	0 – 4,7	0 – 4,7
Working speed fpm	0 – 229	0 – 229
Crawlers L x B x H	1,212 x 230 x 488	1,212 x 230 x 488

Capacities

Fuelgal	317	317
Watergal	1,057	1,057
Hydraulic oilgal	106	106

Loading System

Conveyor width, inner /outer in	35.4 / 35.4	35.4 / 35.4
Theoretical discharge capacity yd ³ /h	634	634
Discharge height in	196.9	196.9

Weights

Max. Operating Weight (incl. Options)lb	82,673	83,551
Operating Weight CECE lb	76,059	76,831
Own Weight inclusive Milling compartment* incl. 250l Diesel lb	65,146	65,918
Own Weight exclusive Milling compartment* incl. 250l Diesel lb	50,816	50,816

Additional weights for Options

Canopy lb	661.4	661.4
Dust reduction system lb	264.6	264.6
Compressor lb	286.6	286.6
Detachable Milling-Compartment (SW) lb	220.5	220.5
Quick-change Drum system (SW) lb	551.2	551.2
Ballast 1, Frame lb	2,138.5	2,138.5
Ballast 2, Milling-compartment lb	1,829.8	1,829.8

Technical modifications reserved. Machines may be shown with options.

Standard

Milling technology

- Milling Drum LA15
- BOMAG BMS 15 exchangeable toolholder
- 3 Milling-Drum-speeds,
- Proportional adjustable water injection
- Automatic water saving device
- Levelling, 2 sides + slope
- Wear-free, digital Milling depth display
- Proportional Milling depth adjustment
- Two proportional speeds for Milling-depth-adjustment
- Hydraulically operated side-plates
- Hydraulically operated front mouldboard
- Rear mouldboard with adjustable pre-load-pressure
- Right side-plate for fast Drum-exchange
- Automatic load-control
- Automatic distribution of traction
- Hydraulically foldable Conveyor

Drive Systems

- 4-Crawlers
- 4 crawler steerable, front or/and rear
- Crab walk
- Variable transport speed
- Variable operating speed
- Mechanical Drum-drive

Operation comfort

- Fully vibration-isolated operator-platform
- Comfort-workstation for sitting operation
- Ergonomic adjustable operator seat, 45° to slew
- Ergonomic adjustable dashboards
- Self-explanatory, well-arranged dashboards
- Large storage at ground level
- Service- and maintenance-points ergonomic concentrated

Safety & environmental protection

- Whisper-package for noise elimination
- Liquid cooled engine following latest emission rules

- Integrated service-platform
- Integrated working lights
- Additional variable place able working-lights
- Rotary-beacon
- Mirrors
- CE-conform safety-package with emergency-stop-switches
- Back-up-alarm
- Vandalism protection

Optional

Basic machine

- Weather protection roof
- Water filling pump
- High pressure cleaner
- Dust reduction system
- Auxiliary Drum Drive for easy tool exchange
- compressed air system
- Additional motor for auxiliary function
- Additional compartment for cutting tool
- Additional working-light, plug in
- Additional working-light, magnet base
- Ballast weights
- Seat heating
- Special colour
- Biodegradable hydraulic oil

Milling technology

- Quick-exchange drum-system
- Quick-exchange milling-compartment
- Milling-Drum 2000, LA15
- Milling-Drum 2200, LA15
- Fine-Milling-Drum 2000, LA8
- Fine-Milling-Drum 2200, LA8
- POWER DRUM 2000, LA22
- POWER DRUM 2200, LA22
- Additional Milling Drum Bearing

Levelling Systems and electronic support

- Additional Levelling systems
- Camera
- BOMAG TELEMATIC



PRUS 888 00 010

190916 Sa

BOMAG Americas, Inc.
125 Blue Granite Parkway
Ridgeway, SC 29130
USA
Tel. +1 803 3370700
Fax +1 803 3370800
www.bomag.com/us

