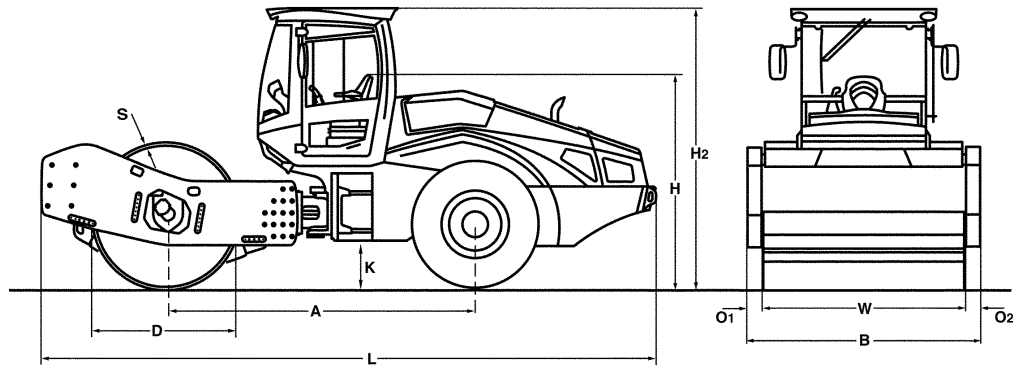


TECHNICAL DATA

SINGLE DRUM ROLLERS

BW 219 DH-5, BW 219 PDH-5





Dimensions in in

	A	B	D	H	H2	K	L	O1	O2	S	W
BW 219 DH-5	128.1	90.5	63.0	90.4	119.4	29.5	255.9	3.3	3.3	1.6	83.9
BW 219 PDH-5	128.1	90.5	59.0	90.4	119.4	29.5	255.9	3.3	3.3	1.4	83.9

Shipping dimensions in cub.yd

BW 219 DH-5
BW 219 PDH-5

without ROPS

44.915
44.915

with ROPS

59.323
59.323

Machine type	Compaction output (cub.yd/h)			
	Rock fill	Gravel, sand	Mixed soil	Silt, clay
BW 219 DH-5	1,229.5-2458.9	915.6-1,831.1	732.5-1,255.6	327.0-654.0
BW 219 PDH-5	1,229.5-2,458.9	915.6-1,831.1	732.5-1,255.6	366.2-732.5

Machine type	Compacted layer thickness (in)			
	Rock fill	Gravel, sand	Mixed soil	Silt, clay
BW 219 DH-5	55.1	39.4	27.6	13.8
BW 219 PDH-5	63	47.2	31.5	15.7

Technical Data

BOMAG BW 219 DH-5

BOMAG BW 219 PDH-5

Weights

Grossweight	lb	48,502	46,297
Operating weight CECE w. ROPS-cabin	lb	42,770	44,093
Axle load, drum CECE	lb	28,219	29,101
Axle load, wheels CECE	lb	14,551	14,992
Static linear load CECE	lb/in	336.5	

Dimensions

Working width	in	83.9	83.9
Track radius, inner	in	162.2	162.2

Driving Characteristics

Speed	mph	0- 6.2	0- 6.2
Max. gradeability without/with vibr.	%	60/57	62/60

Drive

Engine manufacturer		Deutz	Deutz
Type		TCD 6.1 L6	TCD 6.1 L6
Emission stage		4/4	4/4
Cooling		Liquid	Liquid
Number of cylinders		6	6
Performance ISO 3046	hp	201.2	201.2
Performance SAE J 1995	hp	202.0	202.0
Speed	min-1	2,300	2,300
Fuel		diesel	diesel
Electric equipment	V	12	12
Drive system		hydrost.	hydrost.
Drum driven		standard	standard

Drums and Tyres

Number of pad feet			150
Area of one pad foot	sq.in		21.2
Height of pad feet	in		3.9
Tyre size		23.1-26 12PR	23.1-26 12TL

Brakes

Service brake		hydrost.	hydrost.
Parking brake		hydromec.	hydromec.

Steering

Steering system		oscil.artic.	oscil.artic.
Steering method		hydrost.	hydrost.
Steering / oscillating angle +/-	deg	35/12.0	35/12.0

Exciter system

Drive system		hydrost.	hydrost.
Frequency	vpm	1,560/1,860	1,560/1,860
Amplitude	in	0.083/0.047	0.075/0.039
Centrifugal force	lb	73,737/59,799	73,737/55,078
Centrifugal force	t	33.5/27.1	33.5/25.0

Capacities

Fuel	gal	74.0	74.0
------------	-----	------	------

Technical modifications reserved. Machines may be shown with options.

Standard Equipment

- BOMAG ECOMODE
- Warning, information and operation displays with LCD
- Noise insulation
- Hydrostatic travel and vibration drive
- Hydrostatic articulated steering
- Articulated joint lock
- Rear axle with twin spring accumulator brakes
- No-Spin differential lock
- Warning horn
- Single lever control for travel and vibration
- Seat with arm rest and adj. for position and height
- 2 Scrapers
- Emergency STOP
- Back-up alarm
- Working lights front / rear
- * ROPS/FOPS cabin with seat belts
 - Sliding window
- Double pump system for travel drive
- Tractor tires (PDH)
- Loading mode
- Battery disconnect switch

Optional Equipment

- Air condition
- Rearview camera
- TERRAMETER
- BOMAG ECOSTOP
- BOMAG TELEMATIC POWER
- Padfoot segment kit (DH)
- Radio (Bluetooth)
- Indicator and hazard lights
- BCM 05 Documentation system
- Special painting
- Rotary beacon
- Pre start cabin heating
- Environmentally compliant hydraulic oil
- Comfort package: Adjustable seat and adjustable steering column

* Standard delivery with CE conformity
(valid within European Union)

