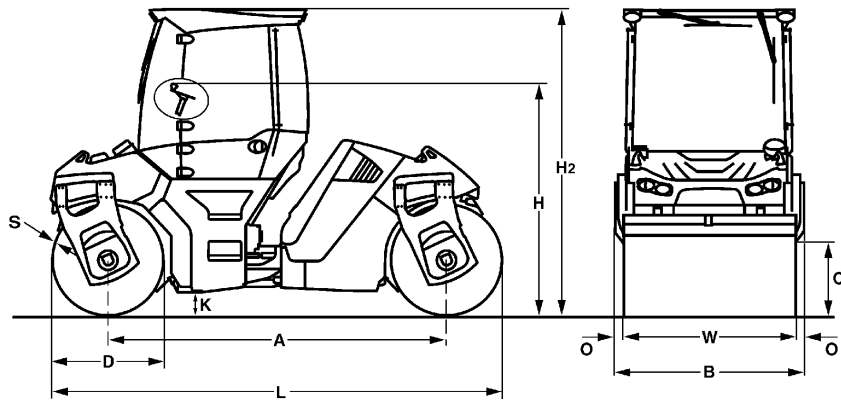


# TECHNICAL DATA

TANDEM ROLLERS

BW 191 AD-5, BW 206 AD-5





**Dimensions in mm**

	A	B	C	D	H	H2	K	L	O	S	W
<b>BW 191 AD-5</b>	3900	2178	760	1400	2364	3093	250	5300	89	19	2000
<b>BW 206 AD-5</b>	3900	2313	760	1400	2364	3093	250	5300	89	19	2135

**Shipping dimensions in m3**

**BW 191 AD-5**  
**BW 206 AD-5**

**without ROPS**

27,289  
28,980

**with ROPS**

35,704  
37,917

Machine type	Compaction output (m3/h) at recommended soil layer thicknesses		
	Gravel, sand	Mixed soil	Silt, clay
BW 191 AD-5	260-500	180-360	140-220
BW 206 AD-5	280-550	200-400	150-250

Machine type	Compaction output (t/h) at different asphalt layer thicknesses		
	2-4 cm	6-8 cm	10-14 cm
BW 191 AD-5	80-160	130-300	220-560
BW 206 AD-5	90-180	150-300	250-500

**Technical Data****BOMAG  
BW 191 AD-5****BOMAG  
BW 206 AD-5****Weights**

Operating weight CECE w. cab. ....	kg	13.500	14.100
Axle load, front CECE .....	kg	6.650	6.950
Axle load, rear CECE .....	kg	6.850	7.150
Static linear load, front CECE .....	kg/cm	33,3	32,6
Static linear load, rear CECE .....	kg/cm	34,3	33,5
Grossweight .....	kg	14.600	16.000

**Dimensions**

Track radius, inner .....	mm	5.190	5.117
---------------------------	----	-------	-------

**Driving Characteristics**

Max. travel speed .....	km/h	0- 12,0	0- 12,0
-------------------------	------	---------	---------

**Drive**

Engine manufacturer .....		Deutz	Deutz
Type .....		TCD 4.1 L04	TCD 4.1 L04
Emission stage .....		4/4	4/4
Cooling .....		water	water
Number of cylinders .....		4	4
Performance ISO 14396 .....	kW	105,0	105,0
Speed .....	min-1	2.300	2.300
Electric equipment .....	V	12	12

**Brakes**

Service brake .....		hydrost.	hydrost.
Parking brake .....		multi disc	multi disc

**Steering**

Steering system .....		oscil.artic.	oscil.artic.
-----------------------	--	--------------	--------------

**Exciter system**

Vibrating drum .....		front + rear	front + rear
Autom. vibr. shut off .....		standard	standard
Frequency .....	Hz	40/55	40/55
Amplitude .....	mm	0,94/0,44	0,92/0,42
Centrifugal force .....	kN	129/113	129/113
Centrifugal force .....	t	13,1/11,5	13,1/11,5

**Capacities**

Fuel .....	l	165,0	165,0
Water .....	l	970,0	970,0

Technical modifications reserved. Machines may be shown with options.

### Standard Equipment

- 2 amplitudes / 2 frequencies
- ECOMODE
- Autom. vibration operation
- Individual vibration control
- Driver's seat, slewable
  - laterally slidable with steering wheel
- Emergency stop button
- On-board computer
  - engine speed
  - Speedometer
  - Fuel consumption
  - Engine temperature
- V-belt protection
- Pressure sprinkling system with 2 pumps
- Indicator and hazard lights
- Back-up alarm
- Battery disconnect switch
- Compartments for documents and tools

### Optional Equipment

- ROPS cabin with seat belts
  - + heating, Ventilation
  - + 4 Working head lights
- ECONOMIZER
- BCM-Documentation system
- ROPS cabin with air conditioning
- Rotary beacon
- Crab-walk to both sides (170mm)
- 2 LED-lights for cabin roof (flatbeam)
- Edge cutter
- Special painting
- Environmentally compliant hydraulic oil
- Radio/Radio preparation
- ROPS/FOPS with safety belt
- Asphalt temperature display
- Lighting for drum edge front and rear
- Seat heating
- Frequency 70Hz
- Approval by the German TÜV
- BOMAG TELEMATIC POWER
- Outside mirrors

